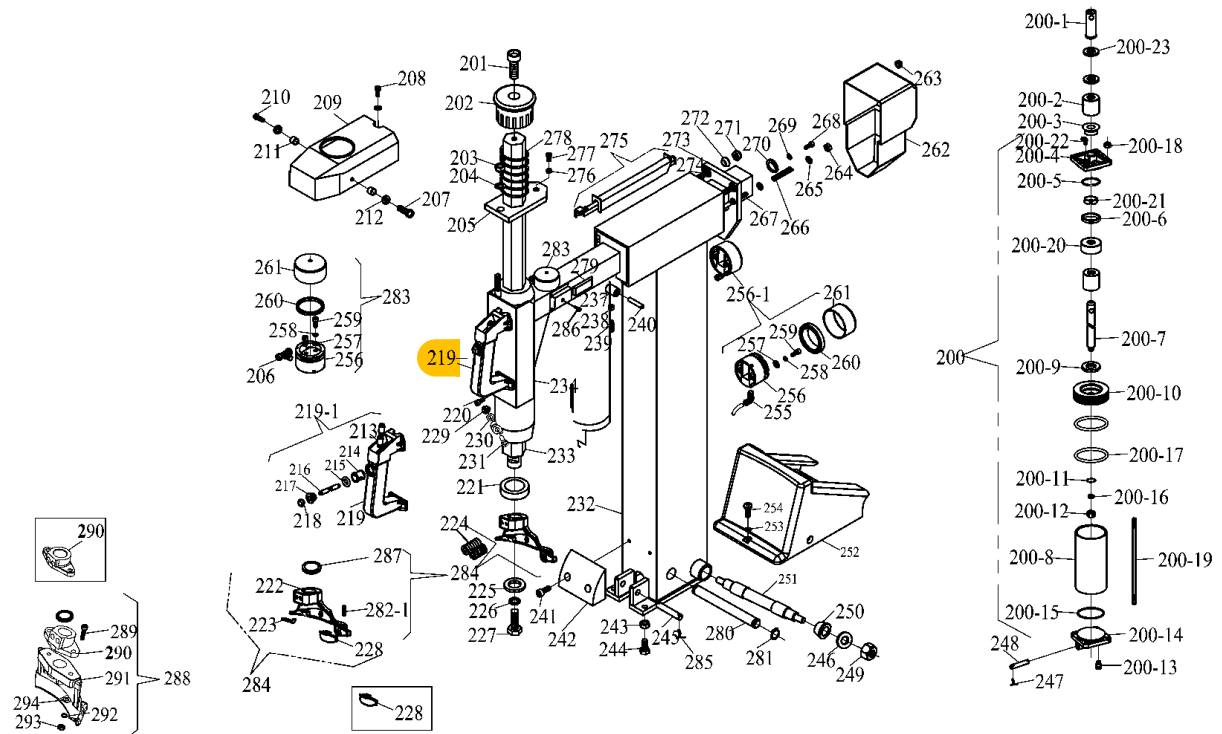


Main Tower



BendPak Part #	Drawing #	Description
5327390	200	Tilt back cylinder
	200-1	Tilt cylinder connector
	200-2	Tilt tower rubber spacer
	200-3	Rubber shock bushing
	200-4	Tilt tower cylinder front plate
	200-5	O-Ring, Ø25 x 3.1
	200-6	Y-Ring, Ø32 x 20 x 6
	200-7	Tilt tower cylinder rod
	200-8	Tilt tower cylinder
5327501	200-9	Washer
	200-10	Small cylinder piston
	200-11	O-ring, Ø16 x 2.4
	200-12	Nut, M12
	200-13	Fitting, G1/8" Ø8, straight
	200-14	Tilt tower cylinder rear plate
	200-15	O-ring, Ø75 x 2.65
	200-16	Washer, Ø12 split lock
5327645	200-17	O-ring, Ø75 x 5.7
	200-18	Nut, M8 x 1
5327502	200-19	Tilt back cylinder bolt
	200-20	Tilt cylinder front flange
	200-21	Tilt tower cylinder wear strip
	200-22	Fitting, G1/8" Ø8, 90°
	200-23	Washer

	201	SHCS, M10 x 25
5400240	202	Hex shaft cap
5400457	203	Nut, M10 NL
	204	Washer, Ø10 flat
5327416	205	Vertical shaft locking plate
5327549	206	Fitting, G1/8" Ø6, tee
5400957	207	SHCS, M6 x 20
5400957	208	SHCS, M6 x 20
5327340	209	Hex shaft lock cover
	209	Hex shaft lock cover
5327340	209	Hex shaft lock cover
5400959	210	SHCS, M6 x 30
5327329	211	Hex shaft lock cover bushing
	212	Washer, M6 flat
5400929	213	Fitting, Ø6, 1/8 straight
5327485	214	Locking Valve O-ring spacer
5327491	215	O-ring, Ø8 x 2.65
	216	Locking Valve shaft
5327563	217	Locking Valve metal spacer
5327516	218	Locking Valve button
5327350	219	Locking Valve handle
5327077	219-1	Locking Valve handle assembly
	220	SHCS, M5 x 12
5327310	221	Mount/Demount Head bushing
5327356	222	Metal duckhead
5328119	223	Duckhead insert, new
5327468	224	SSS, M12 x 16
5327436	225	Duckhead retaining Washer
	226	Washer, M10 SL
	227	HHB, M10 x 20
5327636	228	Roller Insert
5327636	228	Roller Insert (A)
	229	Nut, M8
	230	Washer, Ø8
	231	SHCS, M8 x 35
	232	Tilt back tower
	232	Tilt back tower
	232	Tilt back tower
5327418	233	Hex shaft
	234	Horizontal arm unit
	234	Horizontal arm unit
	234	Horizontal arm unit
	234	Horizontal arm unit
5327496	237	Horizontal arm roller
	238	Nut, M8
	239	Inner Hexangular Set Screw, M8 x 40