

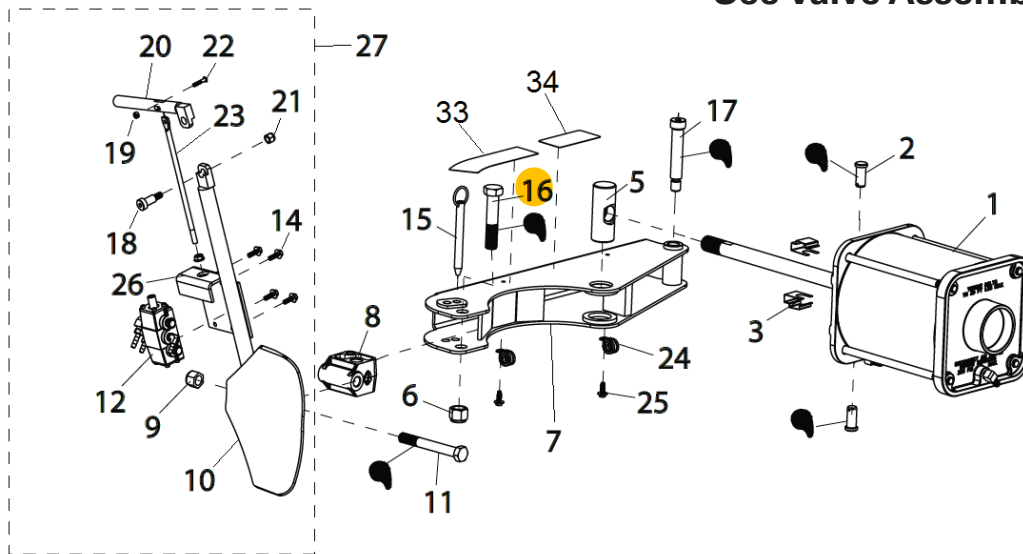
BL Arm Assembly

Item	Part No.	Description	Item	Part No.	Description
1	**	B.L. Arm Cylinder Assembly	19	8182682	10-24 Nylon Insert Lock Nut Gr.5
2	8181949	5/8 x 1-3/8 Clevis Pin	20	85610228	B.L. Lever Assembly
3	8181912	Clevis Clip	21	8301035	3/8-16 Hex Nyloc Nut
5	85607837	B.L. Cylinder Rod Pivot Pin	22	925757	10/24 x 1" HHCS Screw
6	8182016	3/4"-10 Nylon Insert Lock Nut, Gr.5	23	85608037	Lever Link
7	8182002	B.L. Arm	24	8182044	Neoprene Cushion Clamp
8	8181951	B.L. Shoe Pivot Bracket	25	8106301	1/4" Hex Hd Self Tap Screw, Gr.5
9	8182043	5/8-11 Nylon Insert Lock Nut Gr.5	26	8182178	5/16-18 Whiz Lock Nut
10	85608042	Bead Loosener Assembly	27	85608286	B.L. Shoe Assembly, APX
11	8182011	5/8-11 x 5" Hex Hd Cap Scr, Gr.5	28	85608569	Heim Joint
12	85608033	B.L. Arm Valve Assembly	29	8182457	Washer
	8185755	B.L. Arm Valve Assy (old style)	30	85608567	Spacer
14	8143168	1/4-20 x 3/4 Whiz Lock Screw	31	85608566	Spacer
15	8120326	Hitch Pin, ϕ 1/2"	32	8182579	Screw
16	8182009	3/4-10 x 3 3/4" HHCS	33	8181970	Decal-Pstn,Shoe,B/L
17	85608582	3/4x3 1/2 SHSHS Screw	34	85611207	Decal-Ctn,Arm,B/L
18	8185558	Shoulder Screw			

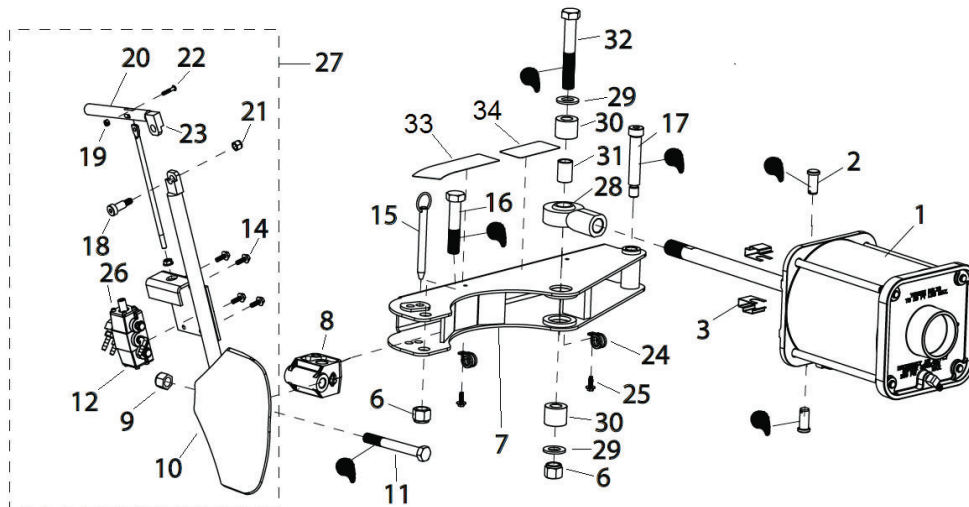
**** See Cylinder Assemblies pgs. 20 - 21**

***** See Valve Assemblies pgs. 22 - 23**

Bead Loosener Pivot Pin Style



Bead Loosener Rod End Style



 Apply Grease To These Locations