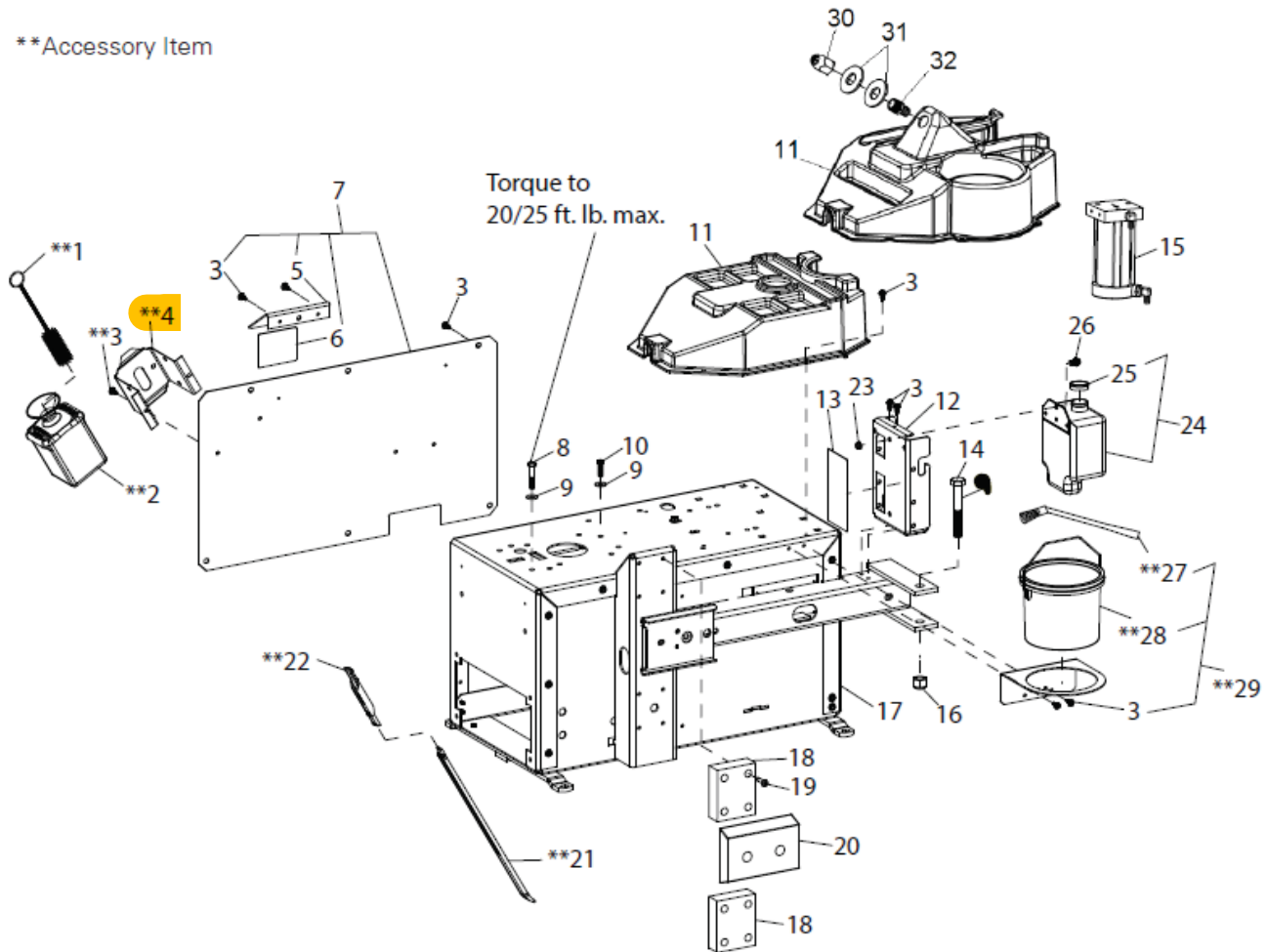


Chassis System

Item	Part No.	Description	Item	Part No.	Description
**1	8000491	Lube Applicator	16	8120055	5/8-11 Hex Nut
**2	8106259	Lube Bottle (Red)	17	8182041	Chassis
**3	8106301	1/4" Hex Hd Self Tap Screw, Gr.5	18	8181851	B.L. Pad, Front
**4	8182809	Lube Bottle Bracket	19	8182088	5/16-18 x 1-1/4 TPHST Screw, Gr.5
5	8182811	Inflation Pedal Cover	20	8181855	B.L. Center Pad
6	8181285	Inflation Pedal Decal	**21	8181354	Bead Lifting Tool (Not Standard On Leverless Unit)
7	85607585	Metal Side Panel	**22	85000783	Lift Tool Bootie Kit, Pkg of 10
8	8182040	M10-1.5 x 55MM Hex Hd.Cap Scr, Gr.8.8	23	924724	312-18 Hex Flange Nut
9	8301032	3/8 Flat Washer, Zinc Plate	24	8185629	Tank Reservoir w/Cap
10	8107715	3/8-16 x 1-1/4 Hex Hd. Cap Scr, Gr.5	25	81856301	Tank Reservoir Cap
11	8181964	Plastic Accessory Tray	26	8183452	5/16-18x5/8 HWHCS Screw
	85608840	Plastic Accessory Tray for Air Nozzle	**27	85000850	Tire Paste Brush
12	8183770	Lubricator Bracket	**28	8183710	Universal Mounting Paste
13	8183778	Lubrication Notice Decal	**29	85009048	Lube Bucket Bracket & Brush Kit
14	85608582	3/4 x 3-1/2 SHSHS Screw	30	85608894	Inflation Nozzle Cone
15	85609766	Water Separator Assy (Air Motor Machines Only)	31	85610693	Washer
			32	8104573	3/4" Straight Fitting

**Accessory Item

**Accessory Item



APPLY GREASE TO THESE LOCATIONS