

Valve Assemblies

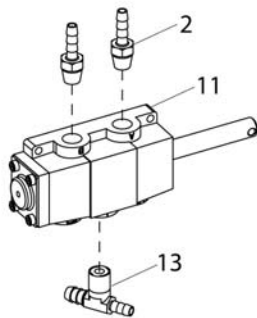


Table Top Clamp Pedal Valve Assembly

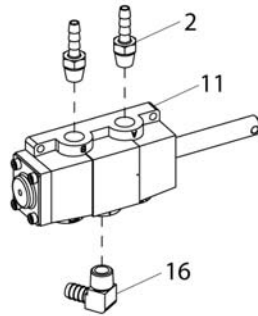
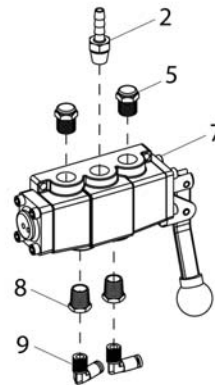
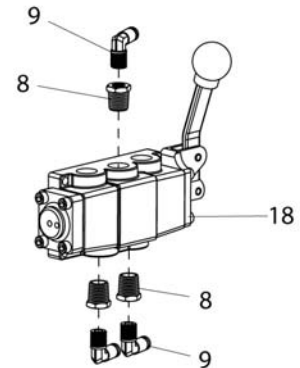


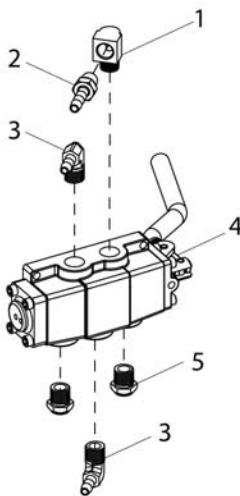
Table Top Clamp Pedal Valve Assembly



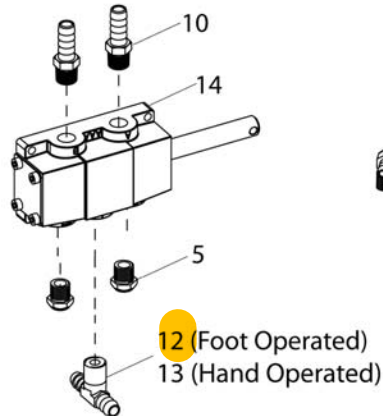
Robo Arm Valve Assembly



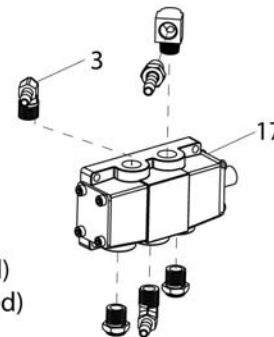
Helper Arm Valve Assembly



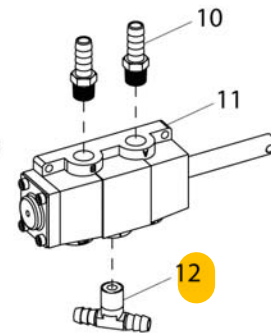
Bead Loosener Arm Valve Assy (old style)



Bead Loosener Arm Valve Assembly



Bead Loosener Arm Valve Assembly



Air Motor Pedal Valve Assembly

Item	Part No.	Description
1	8000372	1/4 NPT, 90° St. ELL Fitting
2	8000378	1/4" Brass St. Fitting
3	8000376	ELL 90° 1/4 Hose Fitting
4	8185581	3 Position w/Handle Valve
5	85607855	1/4 NPT Muffer, Small
7	8185585	3 Position Valve
8	8109481	1/4 NPT x 1/8 NPT RDCR Fitting
9	8181997	90° Elbow 1/8 NPT x 1/8" Fitting
10	8101898	St. 1/4" NPT 3/8" Hose Fitting
11	8184369	4-Way w/Pull Pin Valve
12	8184467	1/4" NPT x 3/8 BRB x 3/8B Tee Fitting

Item	Part No.	Description
13	8184469	1/4" NPT x 3/8 BRB x 1/4B Tee Fitting
14	8181986	4-Way w/Pull Pin Valve
16	8184256	1/4 NPT, 1/4 HSE ELL Fitting
17	8184878	4-way Valve, Pedal Operated
18	85609908	3 Position Valve