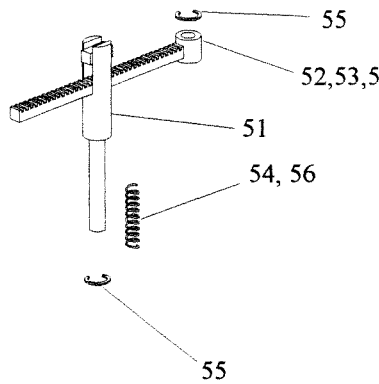
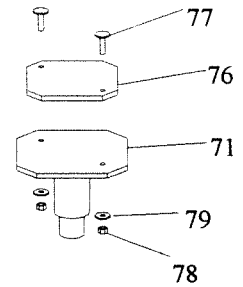


Carriage Safety Latch



Arm Lock Assembly



Swivel Pad w/ Rubber Insert

Part No.	Description
1	112101 Mainside Leg Weldment
2	112201 Offside Leg Weldment
3	057500 Carriage Assembly
4	057501 Carriage Weldment
5	070525 Safety Latch
6	070528 Wipeout
7	070530 Pivot, Latch
8	913682 Bolt, Latch, 3/4 x 2 NC
9	913600 Nut, Latch, 3/4 Nyloc NC
10	913605 Washer, Latch, 3/4 Flat
11	090541 Pull Rod
12	991071 Spring, Latch
13	991070 Cap, Nut, 3/16
14	912005 Washer, 3/8 Flat
15	991077 Cotter Pin, 3/32 x 1-1/2
16	112604 Short S/A Tube Wld, R/H
17	112605 Short S/A Tube Wld, L/H
18	112606 Short Slider Weldment
19	112607 Long S/A Tube Wld
20	112608 Long Slider Weldment
21	057803 Overhead Wldmnt, 100-3/4"
22	057801 M/S Upright Weldment
23	057802 O/S Upright Weldment
24	991030 1-3/8 Snap Ring
25	995020 4" Sheave
26	995030 5" Sheave
27	992317 Cylinder, 2 x 67-1/2
28	995120 Rub Block, UHMWPE
29	992030 Pwr Unit, AB-1205, RV21
30	912701 1/2 x 2-1/2 NC Bolt
31	912601 1/2 NC Nut
32	991211 Bushing, Sheave
33	992630 Cable, 3/8 Dia x 33' - 0"
34	992627 Cable, 3/8 Dia x 33'-6"
35	992609 Cable, Limit Switch, 1/16" x 16'
36	995430 Swing Arm Pin, 8"
37	991124 Shims
38	056805 Overhead Limit Cable Ring Wld

Item	Part No.	Description
39	057804	Upright Limit Cable Ring Wldmnt
40	911701	5/16 NC Nut, Power Unit Mount
41	911703	5/16 Nyl Ins Nut, NC
42	911741	5/16 x 1 NC Bolt, 4 P/U, 2 Ring
43	912603	1/2 NC Nyloc Nut, Cyl mount
44	912605	1/2 Flat Washer
45	913604	3/4 Nyl Insert Nut, NF, Cable
46	913606	3/4 SAE Washer
47	913828	3/4 x 5-1/2 Anchor Bolt
48	913602	3/4 NF Nut, Cyl Mount
49	913611	3/4 NF Jam Nut, Cyl Mount
50	912791	1/2 x 5 NC Bolt, Gr 8
	037760	Arm Lock Assembly
	51	10" Plunger
	52	10" Slider
	53	10" Bumper Slider
	54	Spring, 13/16 Dia x 3
	55	E-Clip
	56	5/8 SAE Washer
	57	Rubber Bumper
	58	3/8 Hose x 55", High Press
	59	3/8 Hose x 62", High Press
	60	3/8 Hose x 205", High Press
	61	3/8 Hose x 86", High Press
	62	3/8 Hose x 113", High Press
	63	3/8 Bulkhead Nut
	64	9/16 O-Ring to 3/8 JIC 90 Elbow
	65	3/8 Male JIC to 3/8 MNPT 90
	66	3/8 JIC Branch Tee to 3/8 MNPT
	67	3/8 JIC Bulkhd Branch Tee
	68	3/8 JIC 45 Swivel Nut
	69	1/16 Cable Clamp, Squeeze
	70	1/8 Cable Clamp, Threaded
	71	Pad Weldment Stacking Type
	72	6" Pad Extension
	73	3" Pad Extension
	74	1-1/2" Pad Extension
	75	Tie Wrap, 24"
	76	Rubber Pad Insert
	77	1/4 x 1 Elevator Bolt
	78	1/4 NC Nut
	79	1/4 Flat Washer
	80	1/2 x 3/4 NC Bolt, S/A Assy
	81	1/2 Lock Washer, S/A Assy
	82	991021 Manual, 10000A/10000A2