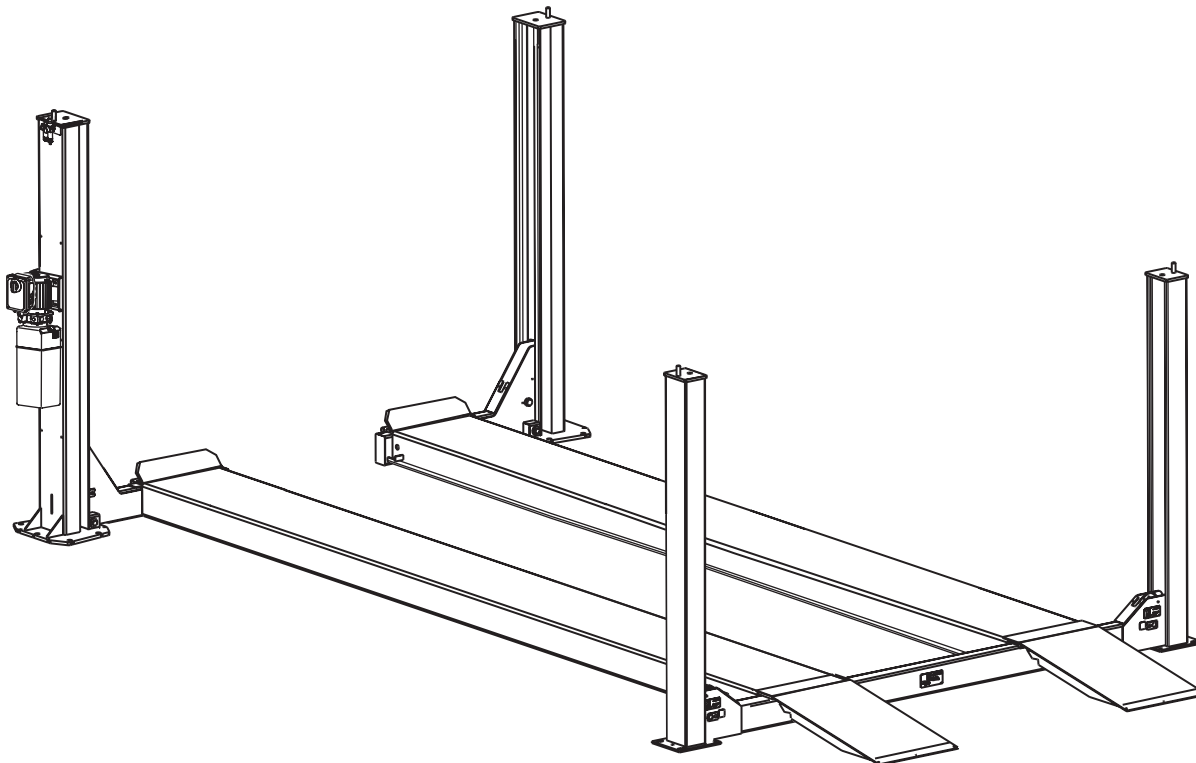




AR014/SM014

Four Post Surface Mounted Lift
Capacity 14,000 lbs. (7,000 lbs. per axle)
Maximum Wheelbases of 212-1/2", 192-1/2" & 158-1/2"



P
A
R
T
S

B
R
E
A
K
D
O
W
N

IMPORTANT: When ordering parts or requesting service always give exact model and power unit serial number. Model number is shown on nameplate attached to air lock release valve. Power unit serial number is located on side of power unit.

OWNERS RECORD
Complete information at right and keep in a safe place.

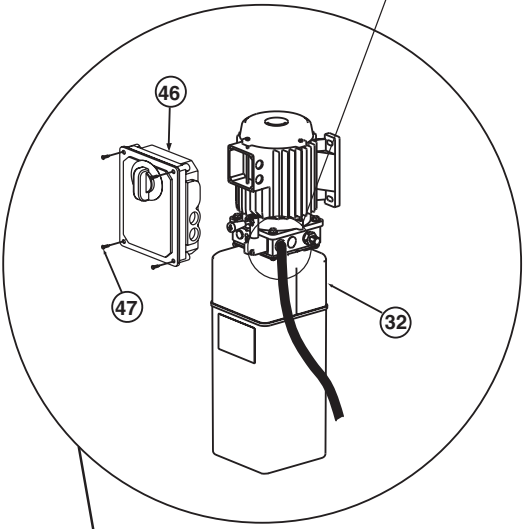
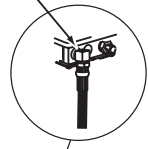
Date Installed _____
 Installed in Bay # _____
 Power Unit Serial # _____
 Power Unit Model # _____
 Lift Serial # _____
 Lift Model # _____

NOTE: For replacement parts -See your nearest Rotary Parts Distributor.

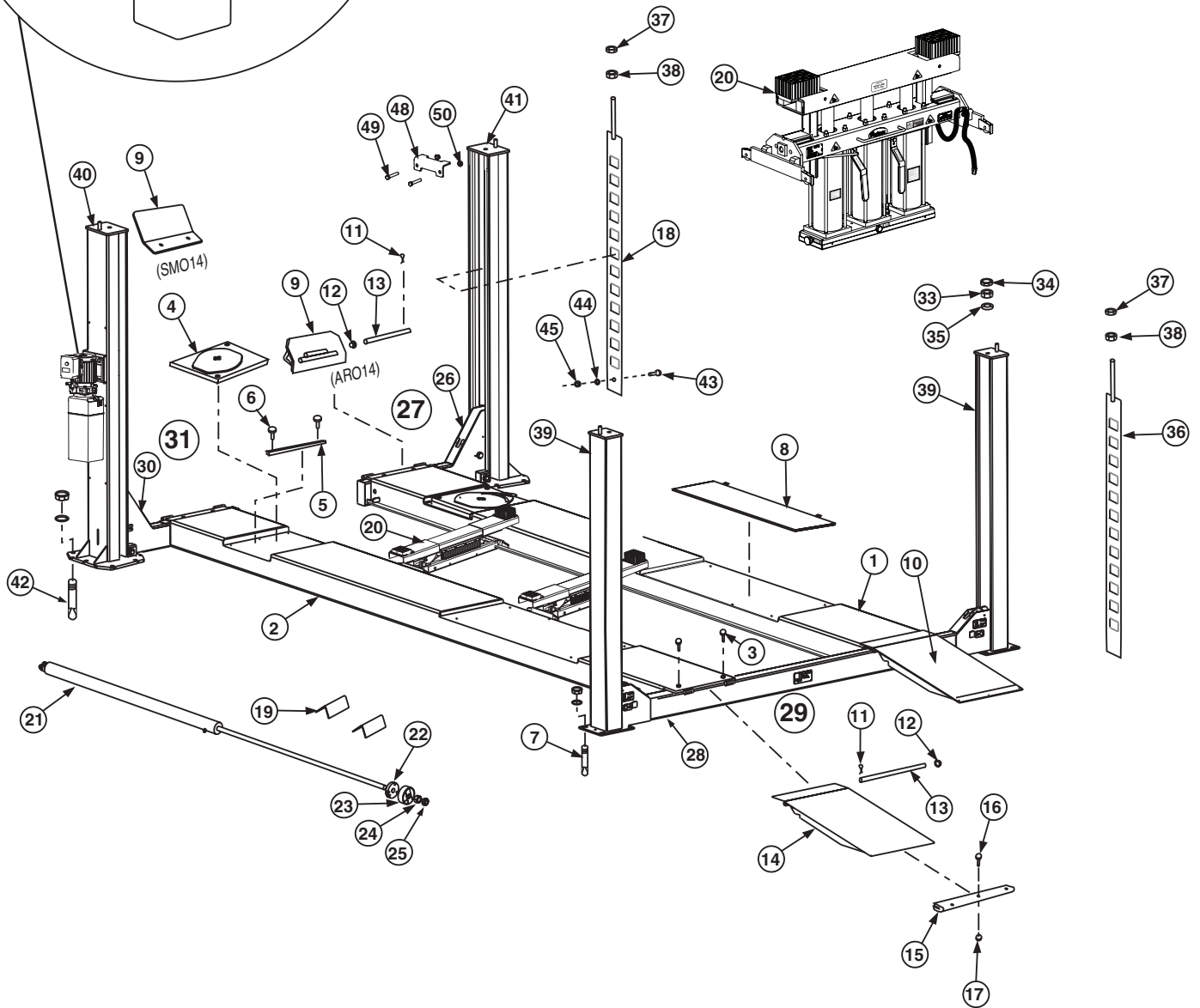
PB2-3-3-11
Rev. H 1/29/2014



P1028-4 (Used on some models between Power Unit and Hose.)



RUNWAYS		
LIFT MODEL	Left Hand Runway Assembly <i>(Includes cylinder, cables and sleeves)</i>	Right Hand Runway Assembly/ Weldment
AR014EL	S110333	S110334
AR014L	S110331	S110332
AR014S	S110329	S110330
SM014EL	S110321	S120723
SM014L	S110320	S120721
SM014S	S110319	S120719
SM014S NB	S110347	S120719
SM014L NB	S110348	S120721
SM014L (With Wheel Guards)	S110355	S120808

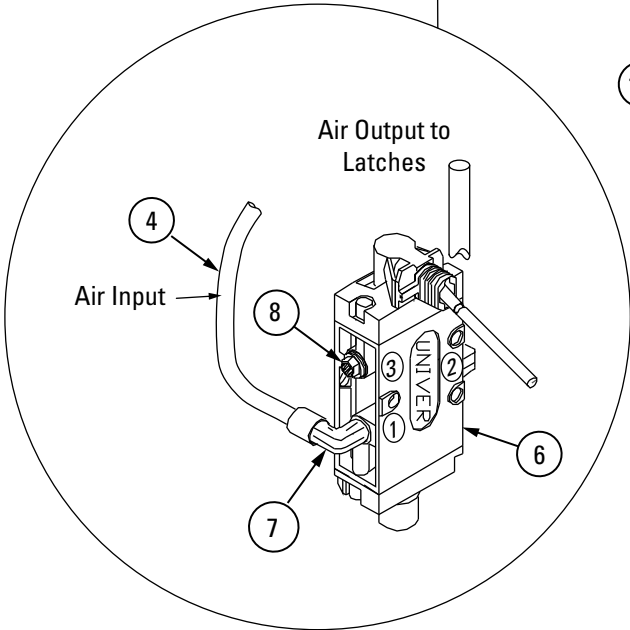
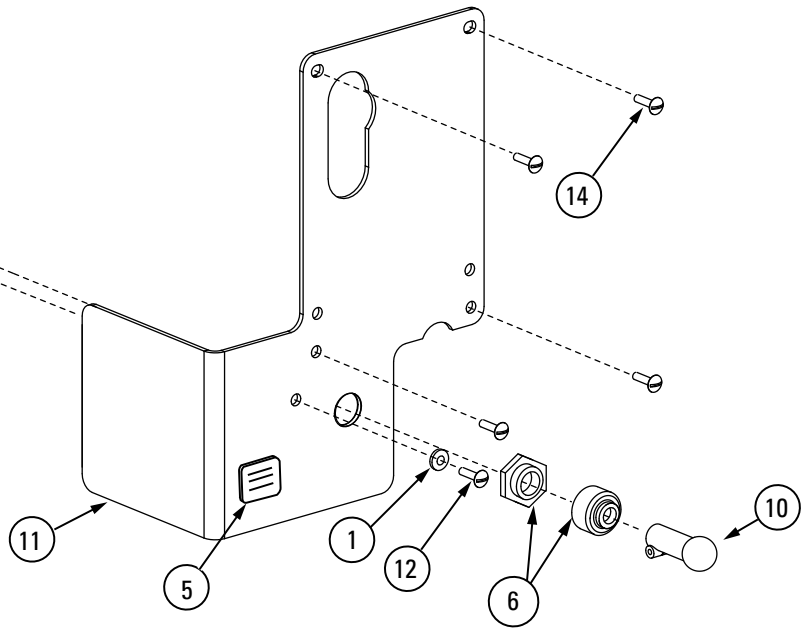
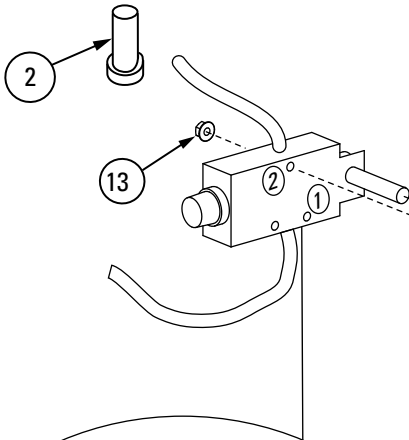
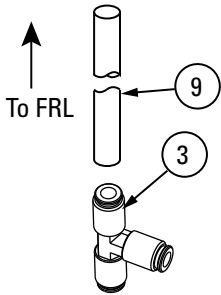


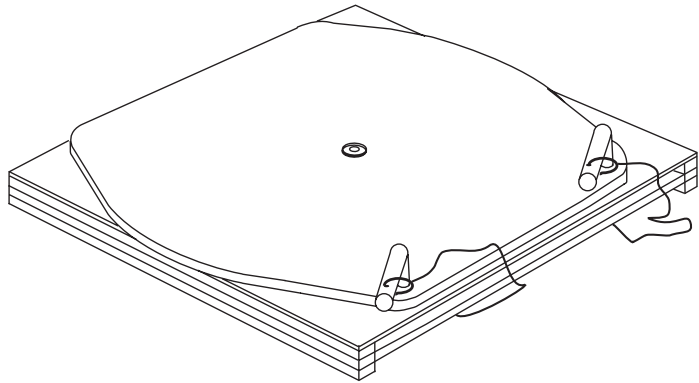
SMO / ARO14 PARTS

ITEM NO.	DESCRIPTION	PART NO.	
1	R.H. Runway Assembly	Refer to Table on Opposite Page	
2	L.H. Runway Assembly (Includes cylinder, cables and sheaves)		
3	1/2" — 13NC x 1 1/4" Flg. Whiz-Lock HHCS (High Strength)		
4	Turning Radius Gauge Ass'y.--Stainless Steel	40279	
5	Turntable Guide Bar--Stainless Steel	S130205	
6	5/16"-18NC x 5/8" Whiz-Lock	FA5153-1	
7	5/8" Anchor Bolt	42073	
8	Rear Slip Plate Kit * * For Slip Plate Parts, See Slip Plate Parts Breakdown - Later In Booklet	FC5228	
9	Wheel Stop (ARO)	S110335	
	Wheel Stop (SMO)	FC134-13	
		FC342	
10	Ramp Chock Assembly (Standard)	S110302	
	Ramp Chock Assembly (Extended)	S110303	
11	5/32" x 1" Lg. Cotter Pin	41202	
12	5/8" Push Nut Fastener — TRW #PW625019 Or Equal	FC5179-4	
13	Hinge Pin	FC134-99	
14	Ramp Chock Weld (Standard)	S120689	
	Ramp Chock Weld (Extended)	S120691	
15	Ramp Chock Slide	FC134-33	
16	#10-24NC x 3/4" SLTRUSSHMS	40050	
17	#10-24NC Flg. Whiz-Lock Nut	40633	
18	Front Latch Bar	S120729	
19	Triangular Wheel Chock	FC320	
20	Rolling Jack	RJ7000/RJ7000Z/SJ8000	
	Swing Air Jack - Optional	SJ8000	
21	Hydraulic Cylinder	S130156	
22	Cable Pull Bar	S120706	
23	Cable Retainer	S120068	
24	1 3/8"-6NC Hex Nut	40771	
25	1 3/8"-6NC Hex Jam Nut	40773	NARROW BAY
26	Right Front Yoke Weldment	S120736	S120743
27	Right Front Yoke Ass'y (Including Latches)	S110325	S110327
28	Rear Yoke Weldment	S120732	S120734
29	Rear Yoke Ass'y (Including Latches)	S110322	S110323
30	Left Front Yoke Weldment	S120735	S120742
31	Left Front Yoke Assembly (Including Latches)	S110324	S110326
32	1Ø Power Unit	P3536	
	3Ø Power Unit	P3095	
33	1"-8NC Hex Nut	40763	
34	1"-8NC Hex Jam Nut	40767	
35	1" Flat Washer	41113	
36	Rear Latch Bar	S120028	
37	3/4"-10NC Hex Jam Nut	40759	
38	3/4"-10NC Hex Nut	40760	
39	Rear Column	S110300	
40	Power Unit Column	S110328	
41	Front Column	S110350	
42	3/4" x 5-1/2" Anchor Bolt	FJ7380	
43	1/4"-20NCx1 3/4" HHCS	40101	
44	1/4" USS Flat Washer Plated	40782	
45	Nut	40642	
46	Control Box	FA7366	
	Capacitor Box	FA7147-1	
	Capacitor Box Cover Plate	FA7366-1	
	Drum Switch	FA7364	
	Drum Switch Lever	FA7364-1	
47	M5 x 45 PHMS, Plated	41672	
48	O.F. Column Tie Bar	S120804	
49	1/2"-13NCx3" HHCS Grade 8	40247	
50	1/2"-13NC Whiz-Lock Nut	40704	

AIR LOCK RELEASE VALVE DETAIL

ITEM NO.	DESCRIPTION	PART NO.
1	#8 SAE Flat Washer	40788
2	3/8" Plug	FA2230-16
3	Union Tee	FA2242-1
4	1/4" Tubing	FC2230-2
5	Nameplate	NP280
6	Control Ass'y.	T140073
7	Swivel Elbow	T140074
8	Filter / Muffler	T140075
9	3/8" Tubing (40ft roll)	FA2230-15
10	Air Lock Handle	T140119
11	Control Bracket 1Ø	S110274
	Control Bracket 3Ø	S110286
12	#8-32NC x 1-1/2" PHMS	40007
13	#8-32NC Nylon Locknut	40649
14	M5 x 15 PHMS 1Ø	40277
	M5 x 50 PHMS 3Ø	41696



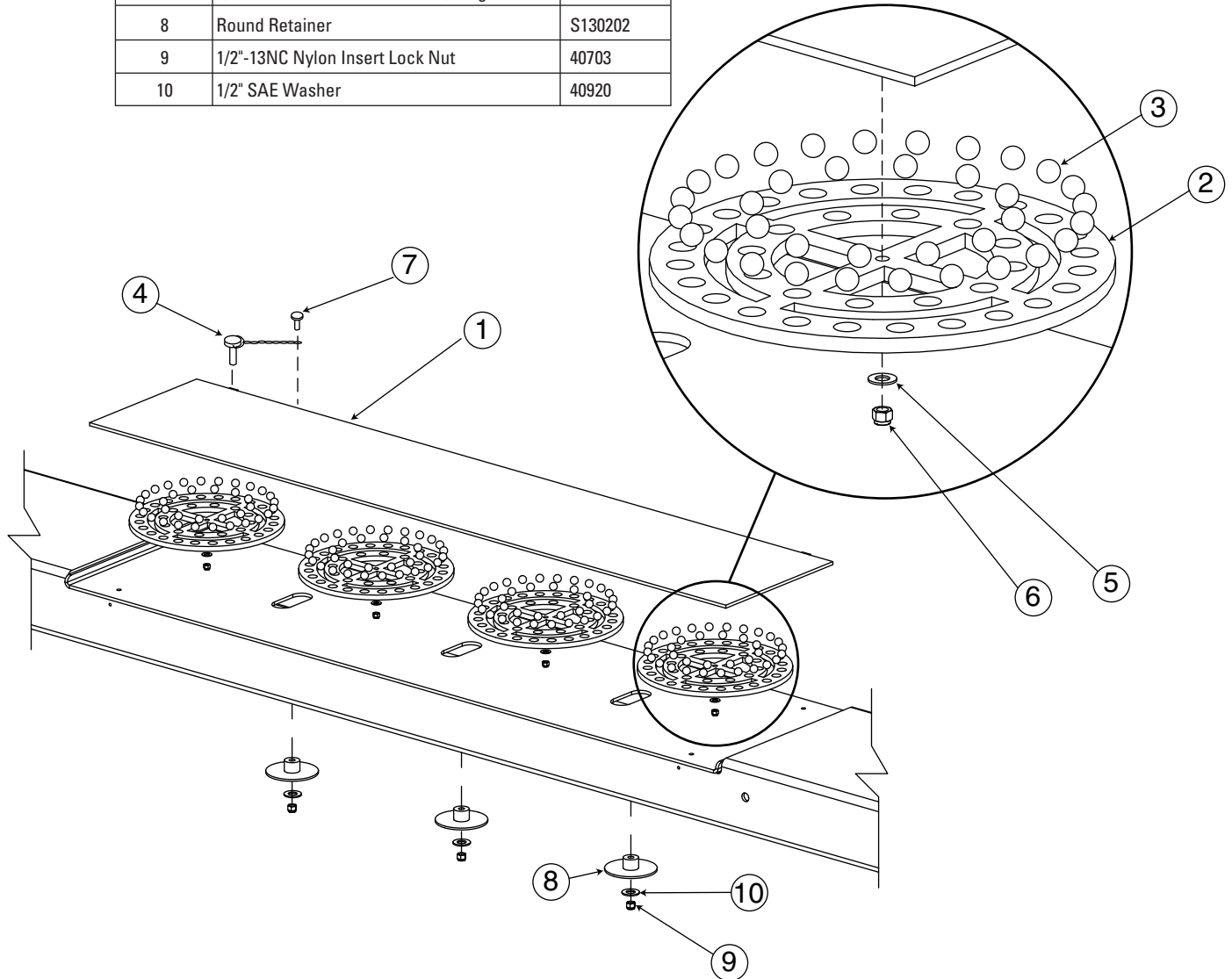


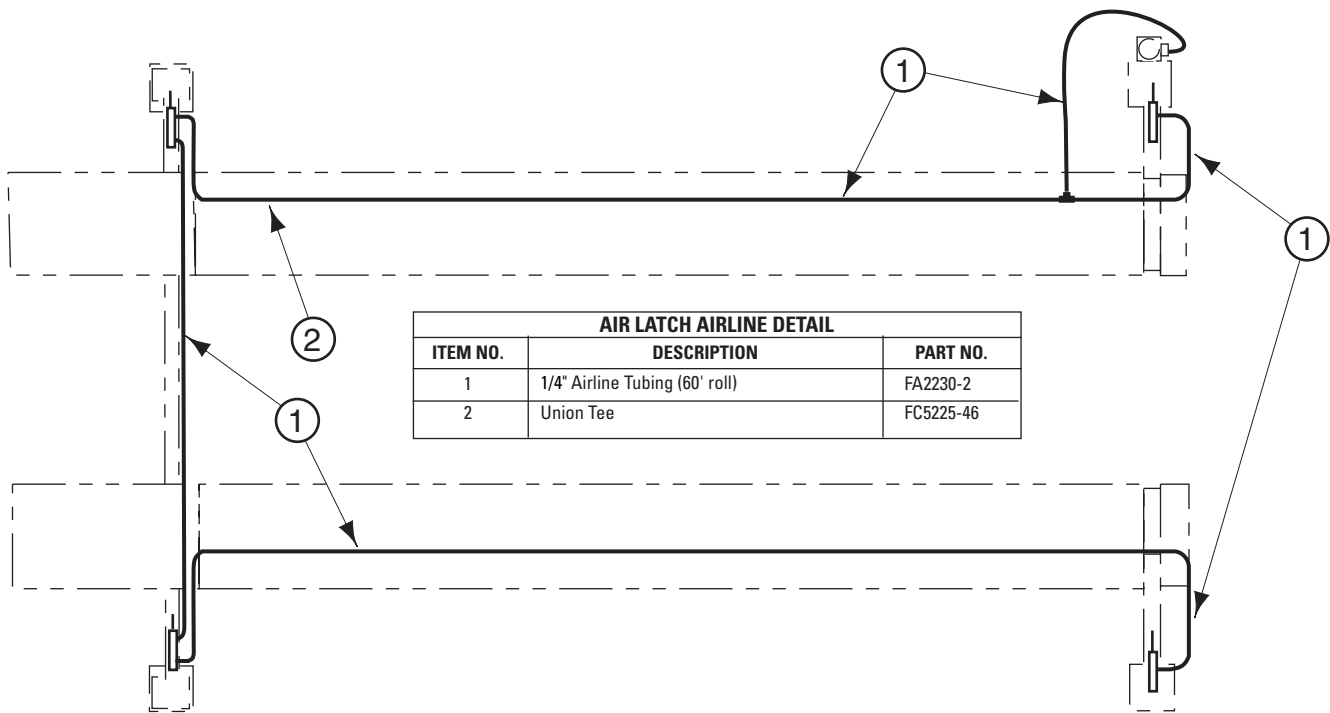
Radius Gauge Rebuild Kits	
Stainless Steel:	FA5153-2

Kits include:	
Delrin Balls	54
Zinc Internal Lock Washers	2
Carbon Springs	8
Bearing Retainers	2
Top Taper Screws	2
Bottom Set Screws	2

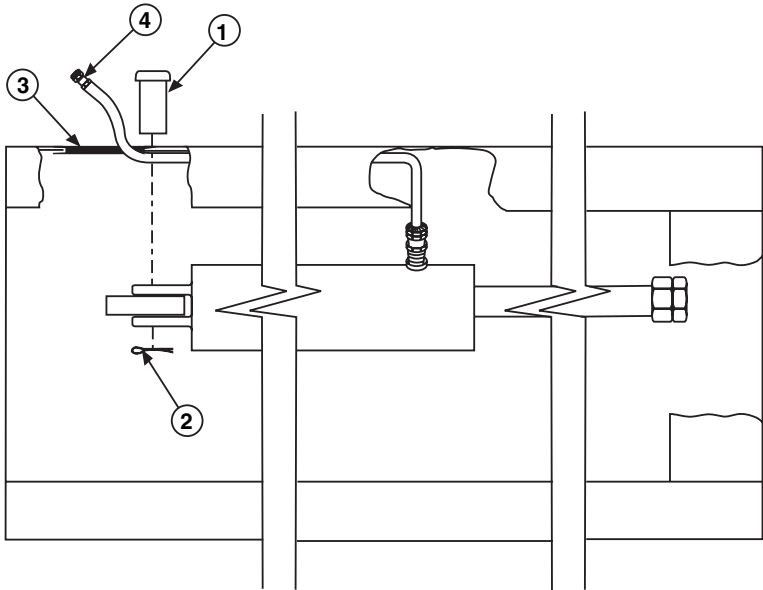
4 WS SLIP PLATE PARTS		
ITEM NO.	DESCRIPTION	PART NO.
1	Slip Plate Weldment	S120775
2	Ball Retainer Assembly	FC5190-31
3	Ball	FC5190-7
4	Lock Pin Assembly	FC5283
5	3/8" SAE Washer	40805
6	3/8"-16NC Nylon Insert Jam Nut	40657
7	1/4"-20NC PNHDM5 CD PLT x 3/8" Lg.	40067
8	Round Retainer	S130202
9	1/2"-13NC Nylon Insert Lock Nut	40703
10	1/2" SAE Washer	40920

Slip Plate Rebuild Kit S100084
 Includes: (4) Ball Retainer Assembly FC5190-31
 (144) Balls, FC5190-7
 (4) 3/8" SAE Washer
 (4) 3/8"-16 Nylon Inset Jam Nut
 (3) Round Retainer
 (3) 1/2"-13 Nylon Insert Lock Nut
 (3) 1/2" SAE Washer

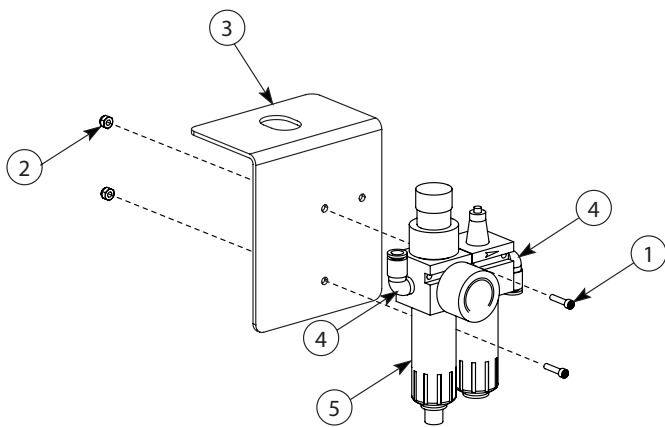




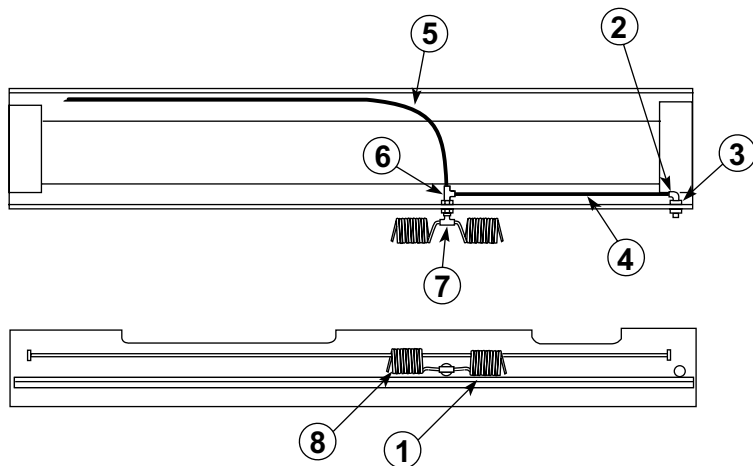
AIR LATCH AIRLINE DETAIL		
ITEM NO.	DESCRIPTION	PART NO.
1	1/4" Airline Tubing (60' roll)	FA2230-2
2	Union Tee	FC5225-46



HYDRAULIC HOSE DETAIL		
ITEM NO.	DESCRIPTION	
1	Clevis Pin	S130158
2	3/16" x 1-1/4" Lg. Cotter Pin	41247
3	Grommet	2 1/2" Hole
		1 1/2" Hole
4	Hose	
	"S" Model	S130149
	"L" Model	S130154
	"EL2" Model	S130155

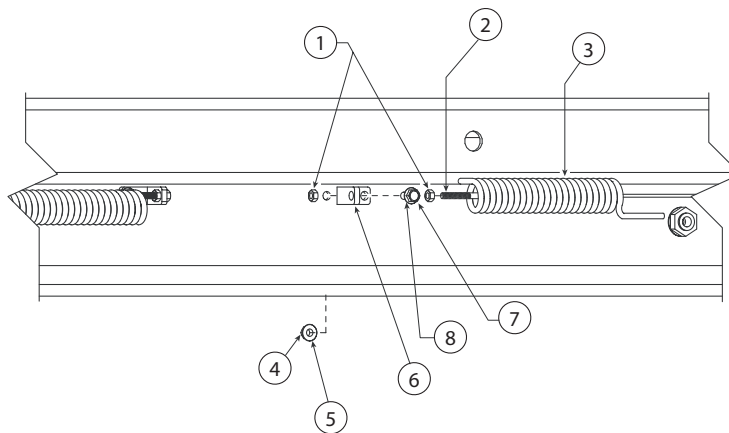


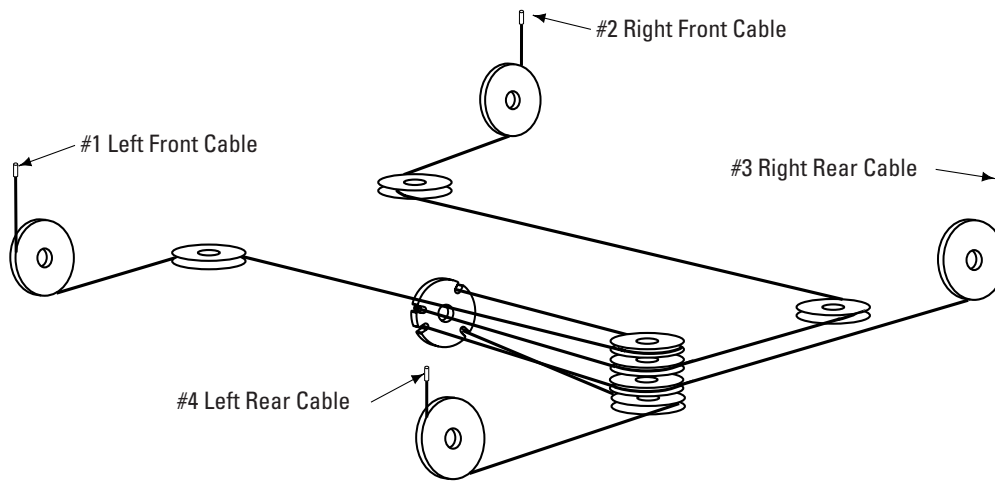
FRL DETAIL		
ITEM NO.	DESCRIPTION	PART NO.
1	#10-24 x 3/4" Hex SHCS	AP00027
2	#10-24 Nylon Lock Nut	40811
3	Adapter Bracket	S120674
4	Elbow	FC147-7
5	Filter/Regulator/Lubricator	S130080



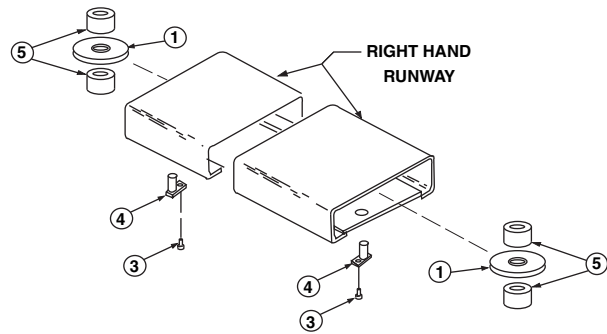
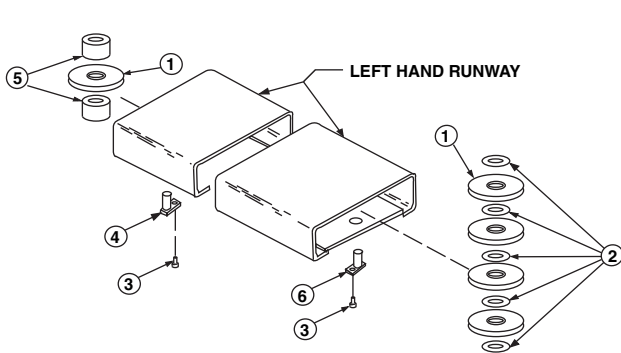
INTERNAL AIRLINE PARTS			
ITEM NO.	DESCRIPTION	PART NO.	PART NO.
		SHORT	L, EL MODEL
1	Front Recoil Hose	FC147-14	FC147-14
2	Male Elbow	FC147-7	FC147-7
3	Female Bulkhead	FC147-1	FC147-1
4	Runway Tubing	FC147-6	FC147-6
5	Tubing	FC5313-2	FC5313-2
6	Male Run Tee	FC147-3	FC147-3
7	Male Branch Tee	FC147-5	FC147-5
8	Rear Recoil Hose	FC147-14	S130160

Retainer Cable Detail			
ITEM NO.	DESCRIPTION	PART NO.	PART NO.
		SHORT	L, EL MODELS
1	1/4" x 20NC Hex Nut	40625	40625
2	Rear Airline Retainer Cable	XS130063	S130159
	Front Airline Retainer Cable	XS130063	XS130063
3	Recoil Hose	-	-
4	3/8" Nut	40660	40660
5	3/8" Lockwasher	40845	40845
6	Retainer Bracket	FC147-9	FC147-9
7	3/8"-16NC x 3/4" Lg. HHCS	40130	40130
8	3/8" Flat Washer	40820	40820

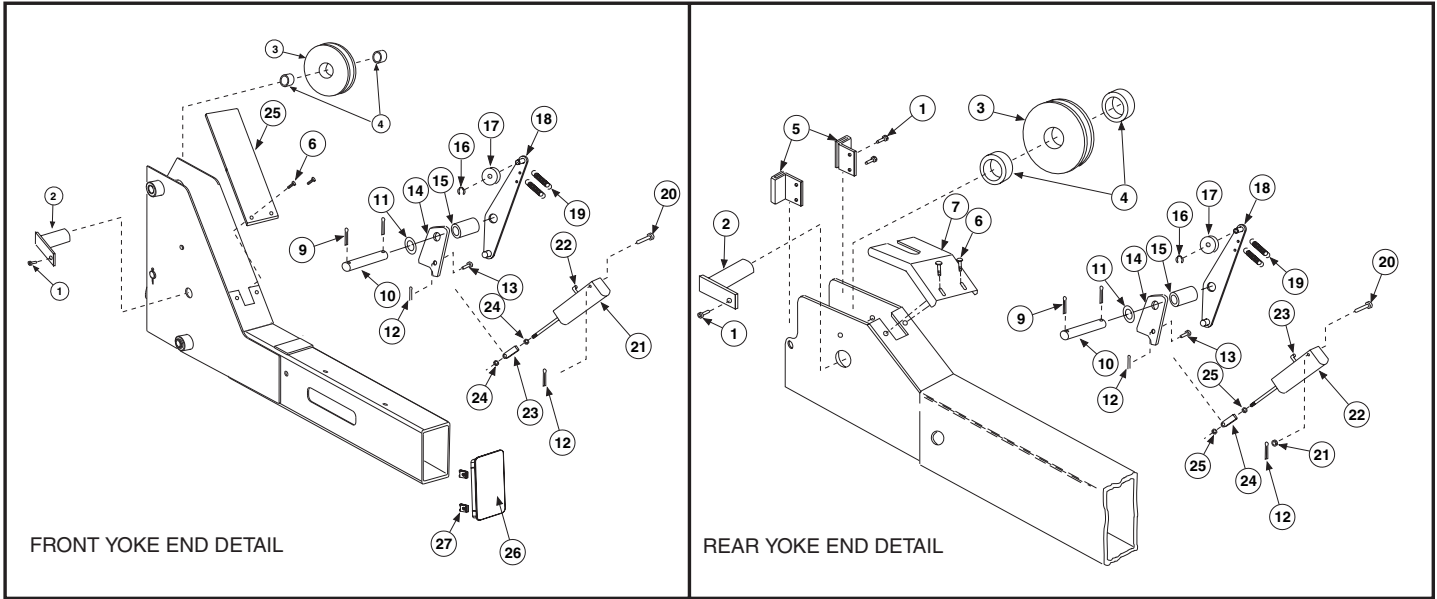




CABLES						
ITEM NO.	DESCRIPTION	PART NO.				
		SM014/AR014			NARROW BAY	NARROW BAY
		158 1/2" WB	192" WB	212" WB	158 1/2" WB	192" WB
1	Left Front Cable	S130175	S130171	S130167	S130189	S130185
2	Right Front Cable	S130176	S130172	S130168	S130190	S130186
3	Right Rear Cable	S130164	S130164	S130164	S130178	S130178
4	Left Rear Cable	S130163	S130163	S130163	S130177	S130177



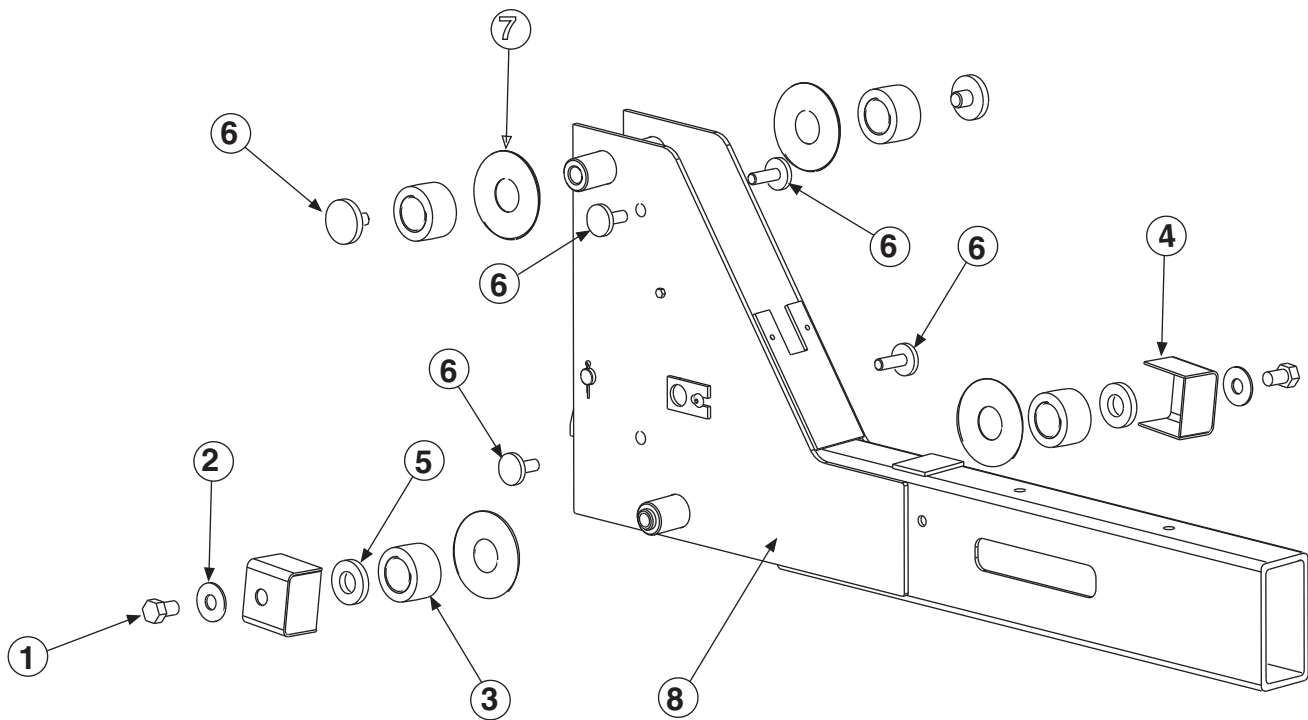
SHEAVE DETAIL		
ITEM NO.	DESCRIPTION	PART NO.
1	Sheave	FC5810-10
2	Bearing	FC5225-17
3	5/16"-18NC x 1/2" Lg. HHCS	40401
4	Sheave Pin (Standard)	FC555-1
	Sheave Pin (Chrome)	FC5728-7
5	Sheave Spacer	S130192
6	Sheave Pin (STD)	S120675
	Sheave Pin (Chrome)	S120676



FRONT YOKE END DETAIL

REAR YOKE END DETAIL

FRONT YOKE END DETAIL					
ITEM	DESCRIPTION	PART NO.	ITEM	DESCRIPTION	PART NO.
1	5/16"-18NC x 3/4" Lg. HHCS	40252	15	Spacer	FC5706-9
2	Sheave Pin	standard	FC5224-21	16	3/8" Snap Ring TRUARC #5304-37
		chrome plated	FC5728-7		
3	Sheave	FC5810-10	17	Slack Cable Roller	FC553-21
4	Plastic Spacer	S130203	18	Kicker	S120103
5	Slider	FC5706-16	19	Extension Spring	FC522-25
6	Nylon Tree Rivet	S130120	20	Clevis Pin	S130051
7	Guard	FC5802-18			
8	Number Not Used	N/A	21	Air Cylinder	1-Port \ S130061
9	Cotter Pin, 1/8" X 1 1/4"	41201			2-Port \ S130017
10	Latch Shaft	FC5901-7	22	Elbow	FC5224-39
11	Washer	FC5301-98	23	Clevis	FC5706-7
12	1/4" Hairpin Cotter Pin (.05" dia. wire)	41901	24	1/4" -28NF Hex Nut	40622
13	Clevis Pin	FA2230-12	25	Guard	S130014
14	Latch	FC5706-10	26	Tube Cap	FC248
			27	Spring Clip	FC7115
REAR YOKE END DETAIL					
ITEM	DESCRIPTION	PART NO.	ITEM	DESCRIPTION	PART NO.
1	5/16"-18NC x 3/4" Lg. HHCS	40252	15	Spacer	FC5706-9
2	Sheave Pin	standard	FC5224-21	16	3/8" Snap Ring TRUARC #5304-37
		chrome plated	FC5728-7		
3	Sheave	FC5810-10	17	Slack Cable Roller	FC553-21
4	Plastic Spacer	S130203	18	Kicker	S120103
5	Slider	FC5706-16	19	Extension Spring	FC522-25
6	Nylon Tree Rivet	S130120	20	Clevis Pin	S130051
7	Guard	FC5802-18	21	1/4" Flat Washer	40782
8	Number Not Used	N/A			
9	Cotter Pin, 1/8" X 1 1/4"	41201	22	Air Cylinder	1-Port \ S130061
10	Latch Shaft	FC5901-7			2-Port \ S130017
11	Washer	FC5301-98	23	Elbow	FC5224-39
12	1/4" Hairpin Cotter Pin (.05" dia. wire)	41901	24	Clevis	FC5706-7
13	Clevis Pin	FA2230-12	25	1/4" -28NF Hex Nut	40622
14	Latch	FC5706-10			



ROLLER ASSEMBLY AND SLIDERS			
ITEM NO.	DESCRIPTION		PART NO.
1	5/8"-11 x 1" lg. HHCS		40340
2	5/8" Flat Washer		40980
3	Roller Assembly		FC5905
4	Wheel Cover		FC5905-5
5	Wheel Bearing		FC5905-3
6	Slider (7/32" thick)		S130206
7	Wheel Spacer		FC5905-9
8	Front Yoke	Left Standard	S120735
		Right Standard	S120736
		Left Narrow Bay	S120742
		Right Narrow Bay	S120743

NOTES

Rotary World Headquarters

2700 Lanier Drive
Madison, IN 47250, USA
www.rotarylif.com

North America Contact Information

Tech. Support:
p 800.445.5438
f 800.578.5438
e userlink@rotarylif.com
Sales:
p 800.640.5438
f 800.578.5438
e userlink@rotarylif.com

World Wide Contact Information

World Headquarters/USA: 1.812.273.1622
Canada: 1.905.812.9920
European Headquarters/Germany: +49.771.9233.0
United Kingdom: +44.178.747.7711
Australasia: +60.3.7660.0285
Latin America / Caribbean: +54.3488.431.608
Middle East / Northern Africa: +49.771.9233.0

© Vehicle Service GroupSM

Printed in U.S.A., All Rights Reserved. Unless otherwise indicated, ROTARY, and all other trademarks are property of Dover Corporation and its affiliates.

