



MOBILE COLUMN LIFTING KITS

FRAME-ENGAGING KIT / 21,000 TO 30,000 LBS. CAPACITIES

Beam vehicle spotting allows technicians to service wheels and tires with ease. Pick up buses, RVs and more with wheels-free kits. All kits are designed for use with the MACH418 or MCHFlex419 Series lifts.

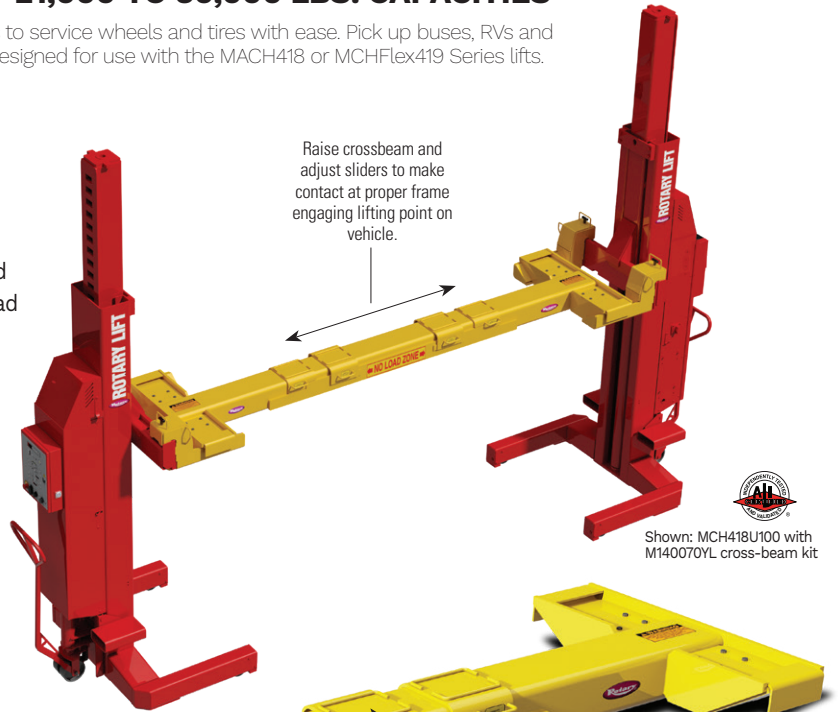
M140070YL

LOW PROFILE FRAME-ENGAGING KIT

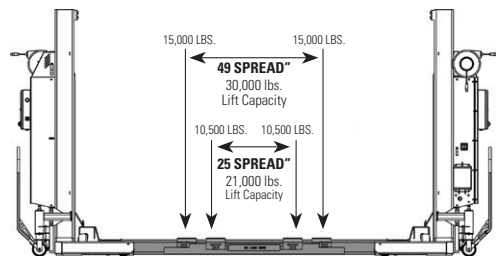
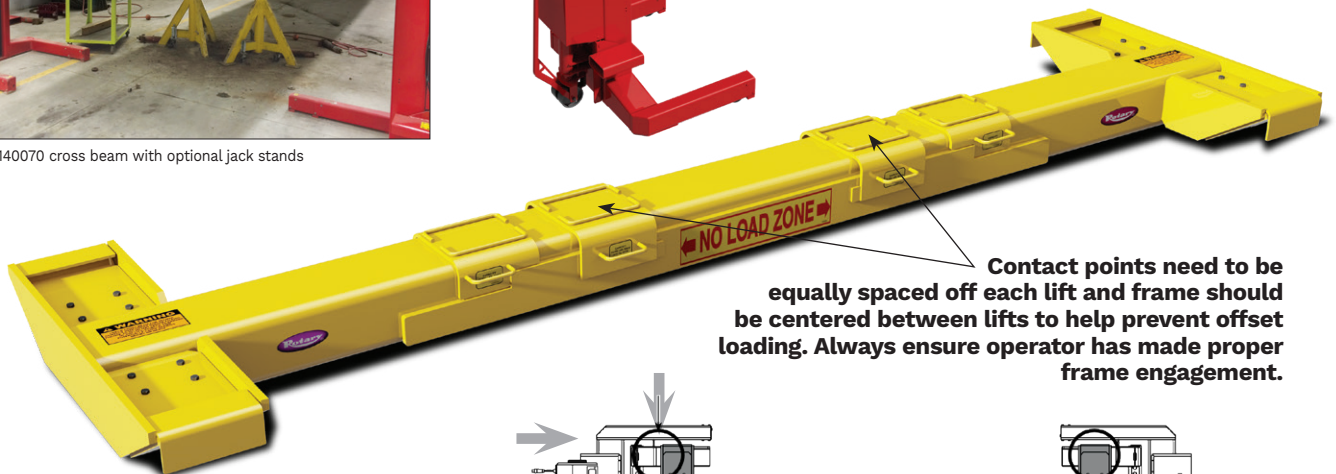
21,000 lbs. CAPACITY at minimum 25" adapter spread
30,000 lbs. CAPACITY at maximum 49" adapter spread
Kit includes single cross beam



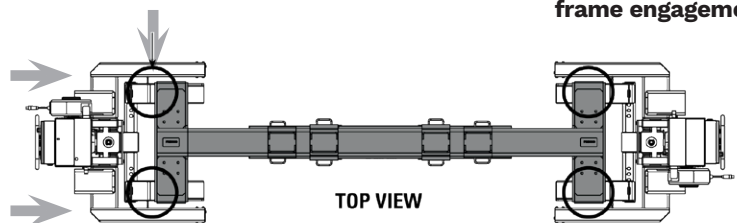
Shown: M140070 cross beam with optional jack stands



Shown: MCH418U100 with M140070YL cross-beam kit



CAPACITIES
30,000 lbs. at 49" spread / 21,000 lbs. at 25" spread
ALI THIRD-PARTY GOLD CERTIFIED



Simply push crossbeam lift into desired position under vehicle.

Push the mobile column fork arms into beam ends completely until ends of crossbeam rest on the heel of the forks. Raise crossbeam and adjust to contact the frame at proper lifting point.

Rotary Lift
2700 Lanier Drive
Madison, IN 47250, USA
rotarylif.com
f i t y t u

North / South America Information
Sales: 800.445.5438
insidesales@vsgdover.com
Tech. Support: 800.445.5438
technicalsupport@rotarylif.com

Global Contact Information
USA: 1.812.273.1622
Canada: 1.905.812.9920
Latin America / Caribbean: 1.812.273.1622
Brazil: +55.11.4534.1995

Government Sales: 800.445.5438 X5655



For additional information:
rotarylif.com/Government-Purchasing-Assistance/

Lit# MCH M140070YL Beam Kit Cutsheet.2022.01

©2022 VEHICLE SERVICE GROUP™ / Printed in U.S.A., All Rights Reserved. Unless otherwise indicated, ROTARY LIFT, VEHICLE SERVICE GROUP™, DOVER and all other trademarks are property of Dover Corporation and its affiliates. Product specifications, part numbers, images and component descriptions are subject to change without notice or liability.

